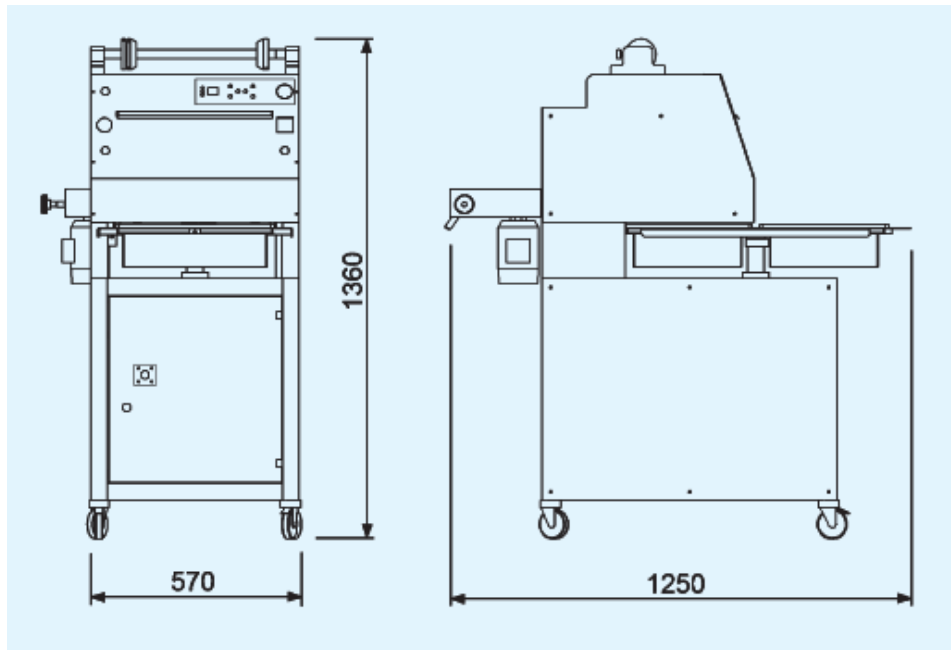


# SVR Turn Dimensions

Machine Dimensions: 22" x 49" x 54"



Tray Dimensions:

